

**Easy/
Efficiency/
Economy**



HANGCHA

Hangcha Europe GmbH

Mariechen-Graulich-Straße 12a,
65439 Flörsheim am Main,
Germany

Administration
Tel: 0049-61453769188
E-mail: admin@hangchaeurope.com

Sales Management
Thomas Dittrich
Mob: 0049-16096548808
E-mail: thomas.dittrich@hangchaeurope.com

Technical Support
Thomas Pannke
Mob: 0049-01759284213
E-mail: thomas.pannke@hangchaeurope.com

www.hangchaeurope.com



Folgen Sie uns auf
Instagram



Folgen Sie uns auf
Facebook



Folgen Sie uns auf
YouTube



"Hangcha Forklift"
App herunterladen



ISO14001
ISO14001:2015



ISO9001
ISO9001:2015



HANGCHA trucks conform
to the European Safety
Requirements.

HANGCHA Group Co, LTD behält sich das Recht vor, Änderungen bezgl. Farbe, Spezifikationen, Ausstattung und sonstige Details, dieser Broschüre ohne Vorankündigung vorzunehmen. Fahrzeugfarben können von den Farben in dieser Broschüre abweichen.

2024 VERSION | COPYRIGHT 2024/03



INNOVATIVE LITHIUM-ION



X Series Electric Platform Truck

with capacities of 1,000 to 5,000kg

The World of Hangcha



HANGCHA

X Series Electric Platform Truck

The X series electric platform truck is a new series of products independently developed by Hangcha.

With exterior design, safety, reliability, advancement and comfort, etc. reaching the level of the world's advanced brands and featuring high speed, high efficiency and high safety, it is an ideal choice for the short- and medium-distance goods handling at railway stations, vehicle companies, etc.



Appearance

/ Streamline and large curved surface appearance, combined with eagle eye type LED integrated head light, entirely-new appearance and vision, more novel and fashionable.

Advancement

- / Digital dashboard with battery charge indicator, fault detection, speedometer and hour meter.
- / The whole truck has high speed and efficiency, and the traveling speed can reach 20km/h.
- / Permanent magnet brushless traction motor+electric control+aluminum alloy high-efficiency gear box, high efficiency, fast start-up, energy-saving and noise-reduced.
- / An optional configuration is provided: a full range of long-lasting batteries, large-capacity lead-acid battery. With a large distance from the ground, a small turning radius and a good passing ability.

Comfort

- / The front and rear axles are fully elastic suspension system with low vibration and good comfort.
- / Low step-on platform for comfortable access.
- / Different operating pedals, instruments, steering wheels and switches are configured according to the ergonomics requirements, operation is comfortable and flexible.
- / EPS (electric power steering) is optional, the force is 8-12N, it is easy for operator.
- / The fully-enclosed driver's cab is optional, and can meet all-weather works.

Maintenance

- / The AC traction motor is free maintenance, and the cost is greatly reduced.
- / The electric control cover plate can be easily dismantled, and it is convenient for commissioning and maintenance of the electric control system.
- / Controller and electrical components are placed together for high integration.
- / The battery lid with a gas spring provided for the standard configuration makes the repair, maintenance and replacement of the battery convenient and is applicable to continuous operating conditions.



Large screen display, the instrument panel adopts injection molding design, sturdy and durable



Full suspension operating platform, vibration is reduced, noise is isolated



LED headlight has the head light and dipped light functions. The front turn light utilizes the latest stream light technology



Repair, maintenance and replacement of the battery are convenient and fast, and it is suitable to continuous work



2 operators on board, optimised driving position for maximum comfort and efficiency



Reliability and Safety

- / Such main electric parts as motor controller, contactor, power plug, emergency power-off switch and so on are famous brand products.
- / The chassis, driving axle, steering axle and so on are designed based on high strength, and can meet the heavy-load operating conditions.
- / The frame and girder type structure, has light weight and great bearing capacity.
- / The emergency power-off switch is the standard configuration, and can meet the European safety standard.
- / The efficient AC power system has complete protection functions and greatly improved reliability and service life, powering the electric braking with protection for preventing sliding down a ramp.
- / With the battery placed at the bottom of the vehicle frame, the vehicle has good stability, safety and reliability.
- / Thanks for the brake system and anti-slip function, it provides safety and reliability.

Standard specification

- / LED light system
- / LCD screen
- / Standard battery
- / Side charging (lithium battery)
- / Emergency power-off switch
- / Horn
- / Reversing buzzer
- / File box
- / Cup holder
- / Angle adjustable steering wheel
- / Floating control platform
- / Seat belt
- / Combination LED three-color taillights
- / Chair

Options

- / EPS (Electric Power Steering) system
- / Reflecting mirror
- / Large capacity lead-acid battery
- / Large-diameter steering wheel
- / Alarm light
- / High performance lead acid battery
- / Suspension seat
- / Acoustic and optical alarm
- / Side charging (lead acid)
- / Large capacity lithium battery
- / Non-standard series platform
- / Blue light lamp
- / Battery side roll out
- / Non-standard series platform
- / LED Rear working light
- / Side shift battery trolley
- / OPS system
- / Terminal power supply
- / Voice-type reversing buzzer
- / Fire extinguisher
- / Charger
- / Solid tyre
- / Non-standard color
- / EPB (Electric Parking Brake)
- / Traction pin

Options (with cab)

- / Fully-enclosed cab
- / Semi-enclosed cab
- / Get on hand
- / RearView mirror
- / Ceiling light
- / Fan
- / Front single blade wiper
- / Front wiper sprinkler
- / Heater
- / Front glass defroster
- / Sunshade
- / Cooling and heating air conditioner



Fully hydraulic steering (4-5t)

The follow-up steering system provided for the standard configuration has the advantages of low energy consumption, low noise, light steering force, a good feel, safe and reliable steering, etc.



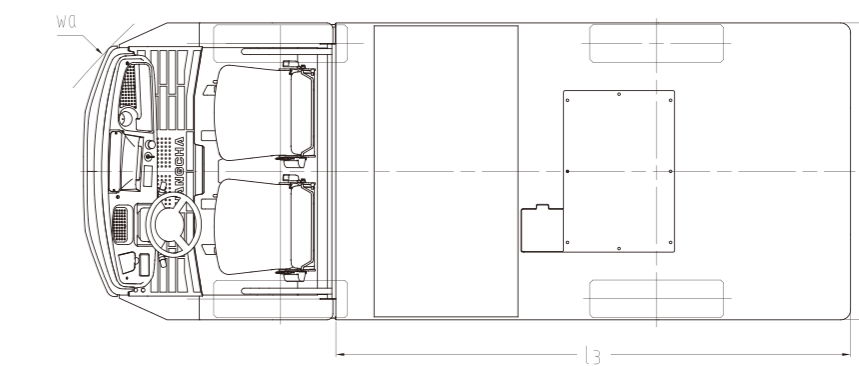
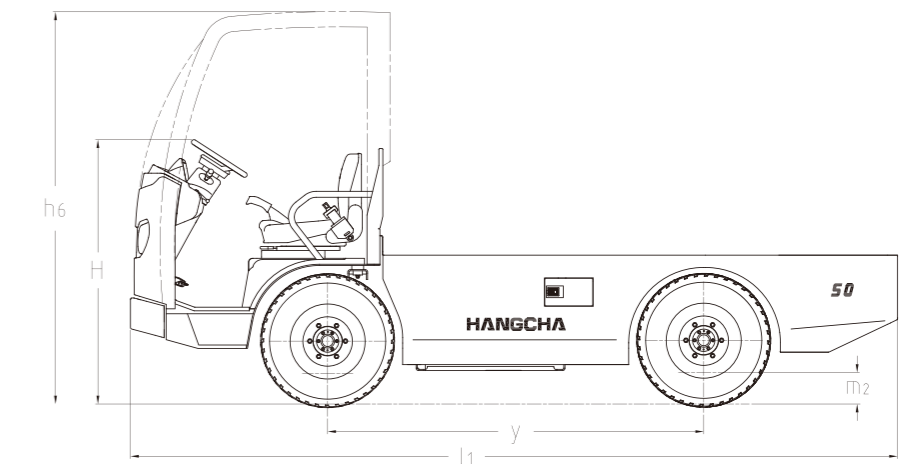
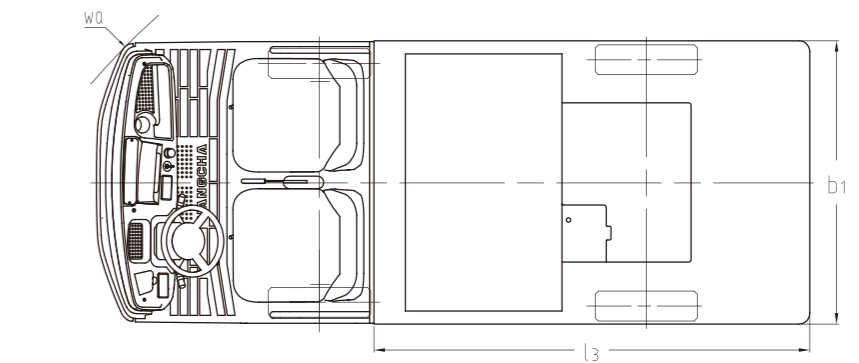
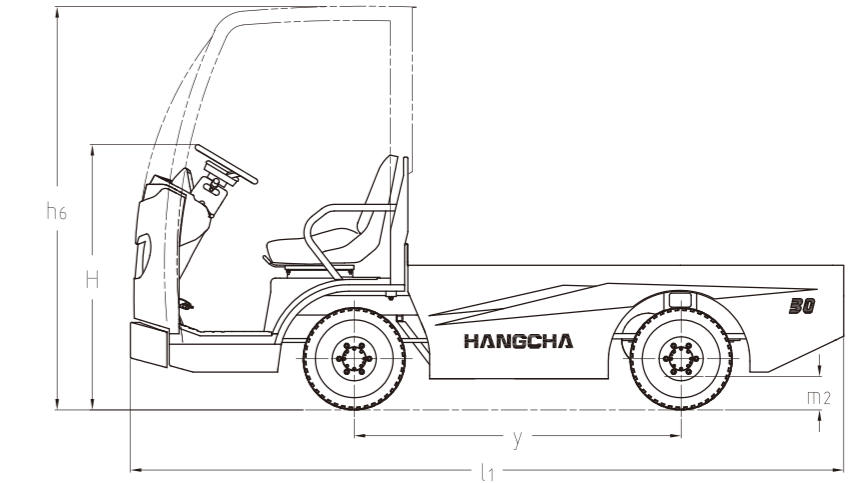
X Series Electric Platform Truck Specification

		HANGCHA GROUP CO.,LTD.															
Distinguishing mark	1.1	Manufacturer															
	1.2	Manufacturer's type designation	BD10-XC1*/BD10-XC1-I*	BD15-XXC1*/BD15-XXC1-I*	BD15-XD2*/BD15-XC2*	BD15-XD2-I*/BD15-XC2-I*	BD20-XD2*/BD20-XC2*	BD20-XD2-I*/BD20-XC2-I*	BD30-XD2*/BD30-XC2*	BD30-XD2-I*/BD30-XC2-I*	BD40-XC2*	BD40-XC2-I*	BD50-XC2*	BD50-XC2-I*			
	1.3	Drive: electric (battery or mains), diesel, petrol, fuel gas	Electric	Electric	Electric	Electric	Electric	Electric	Electric	Electric	Electric	Electric	Electric	Electric			
	1.4	Operator type: hand, pedestrian, standing, seated, order-picker	Seated	Seated	Seated	Seated	Seated	Seated	Seated	Seated	Seated	Seated	Seated	Seated			
	1.5	Rated capacity/rated load	Q (kg)	1000	1500	1500	1500	2000	2000	3000	3000	4000	4000	5000	5000		
Weight	1.9	Wheelbase	y (mm)	1210	1210	1235	1235	1500	1500	1500	1900	1900	1900	1900			
	2.1	Service Weight	kg	814/690	824/700	1000	892	1200	942	1260	1000	1790	1515	1800	1525		
	2.3	Axle loading, unladen front/rear	kg	467/347 405/285	467/357 405/295	515/485	460/432	615/585	486/456	665/595	535/465	895/895	745/770	900/900	750/775		
Tyres, chassis	3.1	Tyres: solid rubber, superelastic, pneumatic, polyurethane	Pneumatic														
	3.2	Tyre size, front	4.00-8-8PR	4.00-8-8PR	5.00-8-10PR	5.00-8-10PR	5.00-8-10PR	5.00-8-10PR	6.00-9-10PR	6.00-9-10PR	7.00-12-12PR	7.00-12-12PR	7.00-12-12PR	7.00-12-12PR			
	3.3	Tyre size, rear	5.00-8-10PR	5.00-8-10PR	5.00-8-10PR	5.00-8-10PR	5.00-8-10PR	5.00-8-10PR	6.00-9-10PR	6.00-9-10PR	7.00-12-12PR	7.00-12-12PR	7.00-12-12PR	7.00-12-12PR			
	3.5	Wheels, number front / rear (x = driven wheels)	4(x=2)	4(x=2)	4(x=2)	4(x=2)	4(x=2)	4(x=2)	4(x=2)	4(x=2)	4(x=2)	4(x=2)	4(x=2)	4(x=2)			
	3.6	Tread, front	b10 (mm)	879	879	1095	1095	1095	1095	1095	1290	1290	1290	1290			
	3.7	Tread, rear	b11 (mm)	863	863	1130	1130	1130	1130	1145	1145	1290	1290	1290	1290		
	4.7	Height of overhead guard (cabin)	h6 (mm)	1925	1925	1865	1865	1865	1865	1900	1900	1990	1990	1990	1990		
Dimensions	4.1.2	Coupling height	h10 (mm)	440	440	350	350	350	350	400	400	440	440	440	440		
	4.1.6	Length of loading surface	l3 (mm)	1400	1600	1600	1600	2000	2000	2000	2600	2600	2600	2600			
	4.1.8	Width of loading surface	bs(mm)	1000	1000	1300	1300	1300	1300	1300	1500	1500	1500	1500			
	4.1.9	Overall length	l1 (mm)	2600	2800	2875	2875	3275	3275	3275	3875	3875	3875	3875			
	4.2.1	Overall width	b1(mm)	1000	1000	1300	1300	1300	1300	1300	1500	1500	1500	1500			
		Overall Height	(mm)	1240	1240	1210	1210	1210	1210	1244	1244	1335	1335	1335	1335		
	4.3.2	Ground clearance, centre of wheelbase	m2 (mm)	120	120	120	120	120	120	155	155	175	175	175	175		
	4.3.5	Turning radius	Wa (mm)	2700	2700	2850	2850	3300	3300	3300	3900	3900	3900	3900			
	Performance data	5.1	Travel speed, laden/unladen	km/h	13/17.5	12/17.5	13.5/18	13.5/18	14/18	14/18	13/20	13/16	13/16	12/16	12/16		
		5.6	Max. Drawbar pull	N	3650	3650	5200	5200	5200	5200	6500	6500	9000	9000	9000		
5.8		Max. gradeability, laden	%	15	10	12	12	12	12	12	12	12	12	12			
5.10		Service brake		Electromagn+Hydraulic													
		Parking brake		Mechanical		Mechanical		Mechanical		Mechanical		Mechanical		Mechanical		Mechanical	
Electric-engine	6.1	Drive motor rating S2 60 min	kW	3	3	5	5	5	5	5	6	6	6	6			
	6.4	System battery voltage, nominal capacity K5	V/Ah	48/140	51.52/125	48/140	51.52/125	72/120	80/125	72/180	80/125	72/240	80/228	72/240	80/228		
	6.5	Battery weight	kg	224	100	224	100	268	150	418	150	485	210	485	210		
		Battery dimensions	(mm)	850/400/330	830/400/300	850/400/330	830/400/300	1072/402/321	1070/400/370	1072/566/321	1070/400/370	1072/566/321	1070/564/370	1072/566/321	1070/564/370		
10.7	Sound pressure level at the driver's seat	dB (A)	<65	<65	<65	<65	<65	<65	<65	<65	<65	<65	<65	<65			

Note:

Electric control configuration: D1(INMOTION) / C1(CURTIS)

★ CE model



1.5/2.0/3.0t Specifications of platforms

Length \ Width	Length						
	1600	2000	2240	2400	3000	4000	4500
1300	■ Standard configuration	■ Standard configuration	● ■	● ■			
1400		● ■	● ■	● ■			
1500				● ■	● ■	● ■	● ■
1800						○ ■	

Note: ● Preferably select ○ optional Guardrail height: ■ 220; □ 320mm

4.0/5.0t Specifications of platforms

Length \ Width	Length					
	2600	3200	4000	4600	5000	6000
1500	■ Standard configuration	● ■	● ■	○ ■		
1600		○ ■	○ ■			
1800			○ ■			
2000			○ ■	○ ■	○ ■	○ ■
2600				○ ■		

Note: ● Preferably select ○ optional Guardrail height: ■ 220; □ 320mm

Table of the battery (72v)

A.h \ Model	BD10	BD15X	BD15	BD20	BD30	BD40	BD50
120			★				
125	+	+	■	■	■		
140			☆				
140	★	★					
165			☆○◇▽				
180				★	★		
228				△	△	▲	▲
220				▽	▽	▽	
230	○▽	○▽					
240				☆	☆	★	★
300				☆○◇▽	☆○◇▽	☆○◇▽	☆○◇▽
330				☆○◇▽	☆○◇▽	☆○◇▽	☆○◇▽
420						☆○	☆○

Note:

Standard battery: ZIBO(★), CATL(■▲)

Optional battery: ZIBO(☆), TIANNENG(○), FAAM(◇), HOPPECKE(▽), CATL(△), HANGCHA(○)

Lead-acid battery: Red text 1.2V, Orange text 8V, Blue text 6V, Black text 2V

Lithium battery: Green text 80.5V(△▲), 77.28V(■), 76.8V(▼), 51.52V(◆)